



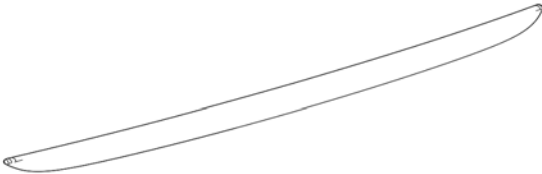
GENUINE PARTS

INSTALLATION INSTRUCTIONS


DESCRIPTION:	Trunk Molding Accent
APPLICATION:	Nissan Versa (Sedan)
PART NUMBER:	999M1 4Y100

KIT CONTENTS:

Item	Qty.	Part Description	Service Part Number
A	1	Trunk Molding Accent	---
B	1	Instruction Replacement Template	---



A



B

- TOOLS REQUIRED:**
- 90% or greater Isopropyl Alcohol
 - Masking tape (Painter’s tape preferred)
 - Clean, lint-free towel
 - Scale or measuring tape

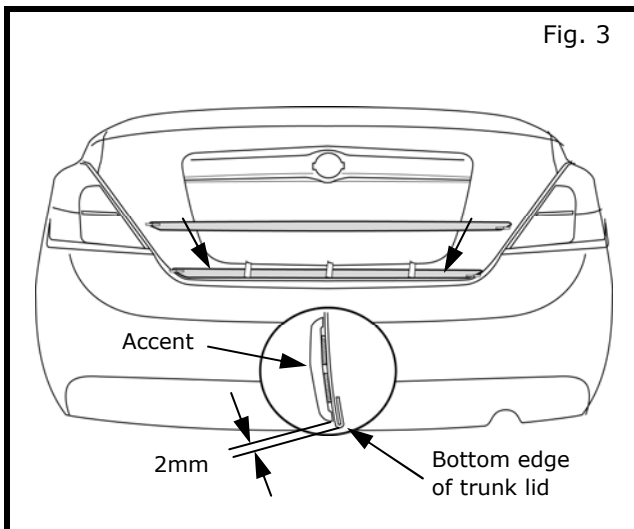
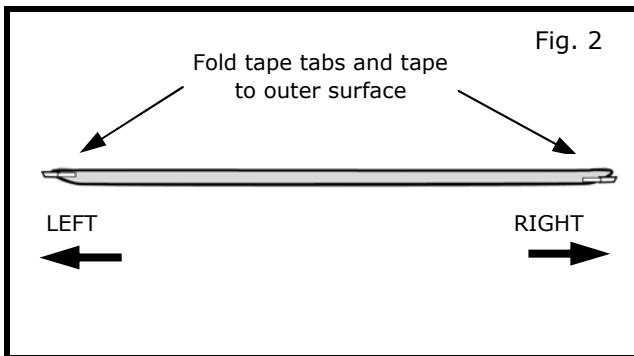
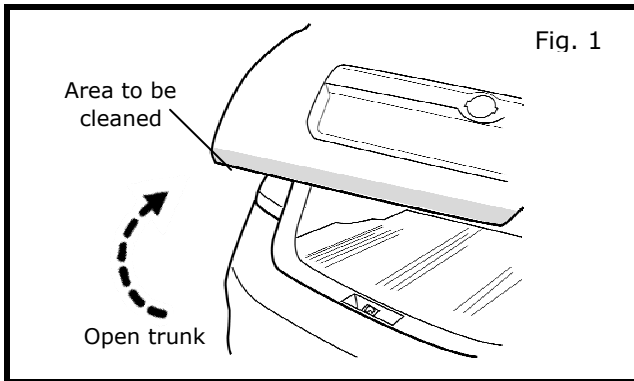
- PRE-INSTALLATION WARNINGS, CAUTIONS, CRITICAL STEPS, and NOTES:**
- Read the installation sheet and check the entire kit for possible damage or defects before performing any work.
 - Dry fit all parts to become familiar with proper placement.

⚠ CAUTION

- Do not touch the tape side with your fingers to avoid contaminating the tape and reducing adhesion strength.
- These parts are to be installed when the ambient temperature is between 60°F - 110°F (16°C - 43°C).
- Do not wash or expose the vehicle to a wet environment for 24 hours after installing the Trunk Molding Accent.
- Install the Trunk Molding Accent in the correct position only after the alcohol has dried.
- The tape will set in 15-20 seconds after the installation.
- Do not reposition the Trunk Molding Accent once the tape has started to set/adhere to vehicle.

INSTALLATION INSTRUCTIONS - Trunk Molding Accent

INSTALLATION PROCEDURE:

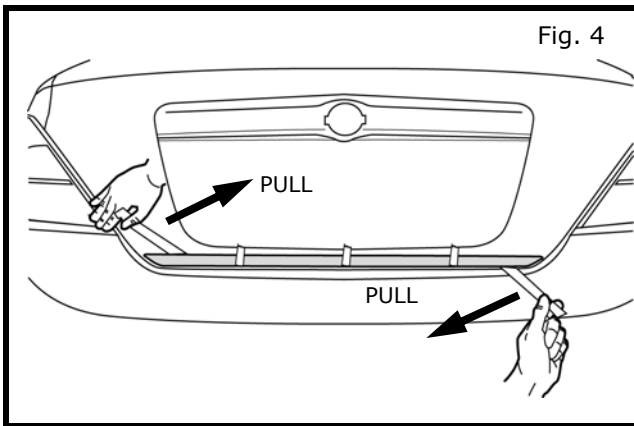


CAUTION

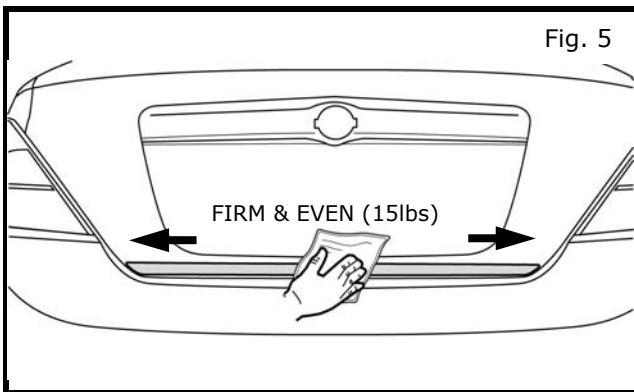
Do not touch vehicle plastic parts including tail lamp lenses with isopropyl alcohol to avoid potential damage.

- 1) Open trunk. Clean the area to be covered with the Trunk Molding Accent by using alcohol on a clean lint-free towel. (Fig. 1)
- 2) While cleaning the area shown in Fig. 1, use a new section of towel when moving from area to area. Allow to dry for at least 2 minutes.
- 3) Fold each tape tab over top of Accent and tape to outer surface. (Fig. 2)
- 4) Position the Accent on the vehicle trunk, maintaining an even gap of 2mm from edge of part to edge of trunk. (Fig. 3)
- 5) Secure the Accent with masking tape as shown.
- 6) Adjust masking tape and Accent as needed to assure proper location, with even spacing from edge of Accent to edge of trunk.

INSTALLATION INSTRUCTIONS - Trunk Molding Accent



- 7) Hold Accent firmly in position and pull each tape liner as shown in Fig. 4 to remove.
- 8) When liner reaches masking tape, apply light pressure to Accent to tack in position, remove the masking tape as needed to completely remove the tape liners.



- 9) Using a clean towel, apply firm and even pressure of 15 lbs. across the Accent surface. Start at center and work toward each end 3 times to ensure adequate adhesion.